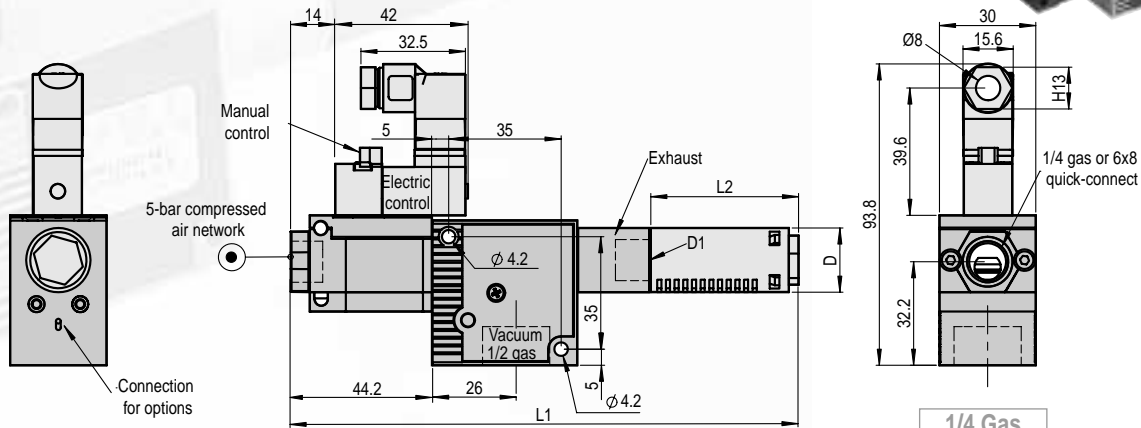
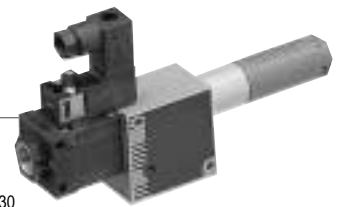


# Controlled venturis, series GVPS



1/4 Gas  
Tube 6/8

## Applications:

Vacuum generators in series GVPS **control vacuum generation** by means of an integrated valve. This installation simplifies wiring and reduces venturi response times.

The valve can be controlled **electrically** (all voltages) or pneumatically (control by **pneumatic** logic and for explosion-proof conditions).

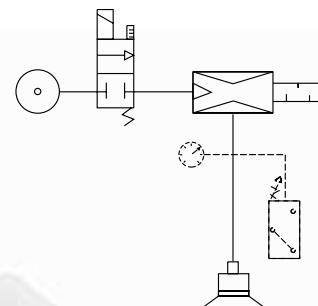
## Characteristics:

Characteristics	Nozzle Ø mm	Air consumption NI/min	Max. vacuum as %			Drawn-in air NI/min			D mm		D1 Gas		L1* mm		L2 mm		
			X	T	N	X	T	N	X	N/T	X	N/T	X	N/T	S	K(N/T)	K(X)
Models	mm	NI/min	X	T	N	X	T	N	X	N/T	X	N/T	X	N/T	S	K(N/T)	K(X)
GVPS 12	1.2	67	40	75	90	150	63	45	30	20	1/2	1/4	191.2	158.2	45	68	121
GVPS 15	1.5	100	50	75	90	180	95	70	30	20	1/2	1/4	191.2	168.2	45	68	121
GVPS 20	2	180	50	75	90	250	160	125	30	30	1/2	1/2	229.2	168.2	60	121	121
GVPS 25	2.5	270	50	75	90	360	240	200	30	30	1/2	1/2	229.2	168.2	60	121	121
GVPS 30	3	400	50	75	90	450	330	265	30	30	1/2	1/2	301.2	301.2	-	121	121

On standard basis, versions N and T are supplied with silencer S and version X is supplied with silencer K, except for model GVPS 30 which is always equipped with silencer K.  
(\* L1 equipped with standard silencer)

## Specifications:

Compressed air	<b>Filtered, non-lubricated, 2 to 6 bars</b>
Temperature	0 to 60°C
Optimum pressure	5 bars
Max. valve flow rate	750 NI/min at 5 bar
N° of valve operations	15 million
Operating frequency	2 Hz maximum
Function	N.C.
Function	N.O. at 24 V DC on request
Valve / Body material	DELFIN 100



## Options:

See pages 28 to 31.

## GVPS — 1 — 2 — 3 — 4 — 5

1: Nozzle	
12	1.2 mm
15	1.5 mm
20	2 mm
25	2.5 mm
30	3 mm

2: Characteristics	
X	50% vacuum
T	75% vacuum
N	90% vacuum

3: Silencer	
-	Without silencer
S	Large reduction in dB
K	Through type

4: C.A. coupling	
14	1/4 G BSPP
68	tube 6x8 calibrated

5: Control	
P1	Pneumatic
E1	24 V DC, N.C.
E2	220 V - 50 Hz
E3	24 V AC
E6	24 V DC, N.O.
E..	Others, page 37

Note: Versions N and T: silencer S and K • Version X: silencer K  
Curves and characteristics on pages 33 and 34.

# Selecting a venturi

## Evacuation time in seconds for 1 litre:

% VACUUM	10	20	30	40	50	60	70	80	85
GV 05 N	1.07	2.30	3.73	5.45	7.55	10.48	14.74	24.31	-
VR 05	0.92	1.96	3.18	4.63	6.38	8.79	12.17	18.96	27.39
GVA 07	0.54	1.15	1.88	2.76	3.86	5.44	7.87	15.40	24.29
VR 07	0.46	0.98	1.58	2.28	3.13	4.27	5.80	8.55	11.01
GVA 09	0.36	0.77	1.25	1.84	2.57	3.62	5.24	10.27	16.19
VR 09	0.31	0.65	1.05	1.52	2.09	2.85	3.87	5.70	7.34
GV 10 N	0.24	0.51	0.82	1.18	1.62	2.21	3.01	4.43	5.71
GVP 12 N	0.14	0.30	0.49	0.71	0.97	1.33	1.81	2.66	3.42
GV 15 N	0.10	0.22	0.35	0.51	0.70	0.95	1.29	1.90	2.45
GVP 15 N	0.09	0.20	0.32	0.46	0.63	0.85	1.16	1.71	2.20
GV 20 N	0.05	0.11	0.18	0.26	0.35	0.48	0.65	0.96	1.23
GVP 20 N	0.06	0.12	0.19	0.28	0.38	0.52	0.71	1.04	2.13
GVP 25 N	0.03	0.07	0.11	0.16	0.22	0.30	0.41	0.60	0.77
GVP 30 N	0.02	0.05	0.08	0.12	0.17	0.23	0.31	0.45	0.58
% VACUUM	10	20	30	40	50	60	70	-	-
GVP 12 T	0.10	0.22	0.37	0.55	0.78	1.16	1.92	-	-
GVP 15 T	0.07	0.15	0.24	0.36	0.52	0.77	1.27	-	-
GVP 20 T	0.04	0.09	0.14	0.22	0.31	0.46	0.76	-	-
GVP 25 T	0.03	0.06	0.10	0.14	0.21	0.30	0.50	-	-
GVP 30 T	0.02	0.04	0.07	0.10	0.15	0.22	0.37	-	-
% VACUUM	10	20	30	35	40	45	-	-	-
GV 05 X	0.74	1.66	2.89	3.69	4.71	6.12	-	-	-
GV 10 X	0.19	0.42	0.72	0.92	1.18	1.53	-	-	-
GVP 12 X	0.05	0.11	0.22	0.33	0.62	0.62	-	-	-
GV 15 X	0.07	0.16	0.27	0.35	0.45	0.58	-	-	-
GVP 15 X	0.04	0.09	0.15	0.20	0.27	0.39	-	-	-
GV 20 X	0.04	0.09	0.16	0.20	0.26	0.33	-	-	-
GVP 20 X	0.03	0.06	0.11	0.15	0.19	0.28	-	-	-
GVP 25 X	0.02	0.04	0.08	0.10	0.14	0.19	-	-	-
GVP 30 X	0.01	0.03	0.06	0.08	0.11	0.15	-	-	-

## Weight of venturis in grams:

MODELS	12	15	20	25	30	-	-	-	-
GVP	100	110	160	180	265	-	-	-	-
GVPS	180	190	240	260	345	-	-	-	-
GVPD	270	280	330	340	425	-	-	-	-
GVC	170	180	-	-	-	-	-	-	-
GVCS	250	260	-	-	-	-	-	-	-
GVS	465	475	525	545	630	-	-	-	-
OPTIONS									
GVO PSE100 E	Electrical output vacuum switch	..... 150 g							
GVO PSE100 EC	Electrical output vacuum switch with connector	..... 45 g							
GVO PSL100 PNP	Electronic vacuum switch	..... 25 g							
GVO PSA100 PNP	Display type electronic vacuum switch	..... 38 g							
GVO VAF11140	Vacuum gauge VAF11140	..... 100 g							
CONTROLLERS									
Pneumatic controller	..... 8 g								
Electric controller	..... 40 g								

Dimensions and characteristics may be modified without notice.